

INDEPENDENCE™ FACE FOR THE DVS AND DVL GAS FIREPLACE INSERTS



DVL Gas Insert With Independence Double Door Face

We are proud to introduce our new Independence faces available for the Lopi DVS and DVL gas inserts. These beautifully crafted, screened, double door faces are designed to maximize the proportions of your hearth while you enjoy the warmth and heat of our high efficiency gas insert.

This elegant frame is patterned with hammered edges reminiscent of hand wrought metal craftsmanship. Note the raised tenons at three intersections of the horizontal and vertical bars - details one expects to find only in heirloom pieces. Open the doors and feel the weight and movement of these substantial and durable doors. The coarsely woven wire screens allows for greater heat transfer than smaller mesh, helps keep young hands from touching hot glass and slightly veils the fire.

FEATURES

- Disguises the Panels
- Makes Insert Look More Like A Fireplace
- Allows for Maximums Heat Transfer
- Protects Hot Glass Surface from Children
- Traditional Screened Fireplace Appearance

DVS AND DVL INDEPENDENCE FACE DETAILS



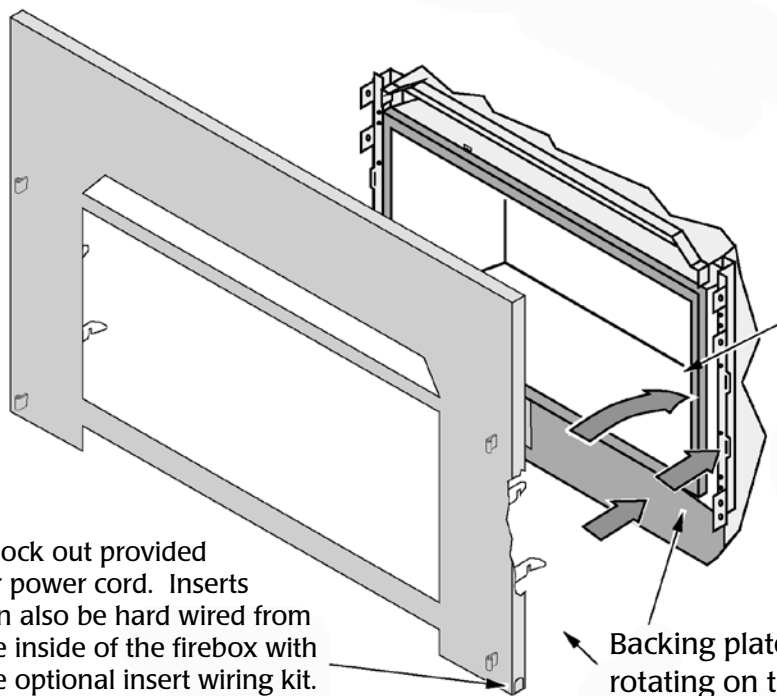
DVS FACE - SKU 95100327



DVL FACE - SKU 95100628

DOUBLE DOOR BACKING PLATES ASSEMBLY

Backing Plates provide you the ability to install your ON/OFF Switch on the side for easy access.



Knock out provided for power cord. Inserts can also be hard wired from the inside of the firebox with the optional insert wiring kit.

Backing plate installs by lifting and rotating on to the insert brackets

Backing Plate Fireplace
Opening Coverage Area:
DVS - 29" H x 40 3/8" W
DVL - 33 1/2" H x 44" W

Your Lopi Authorized Dealer is:

