

Compatibility

- Pioneer PS or PI (see warning below)
- Yankee PS or PI
- Leyden PS
- Newport PS or PI (see warning below)
- Astoria PS or PI
- Arbor PS

COMPATIBILITY WARNING

This log is compatible with all Newports (Avanti PS & PI) and Pioneers (Heritage Bay PS & PI). However, early models were built with cast aluminum firebricks. These castings will become permanently marred if used in conjunction with the pellet log. **If your pellet heater has a serial number less than the number listed below, you must replace the aluminum firebrick with a cast iron firebrick (part # 93005057).** Stoves and inserts with serial numbers larger than the numbers below include the iron fireback. NOTE: If uncertain, the aluminum firebrick weighs 2-3/4 lbs., the cast iron firebrick weighs 7-3/4 lbs.

Pioneer PS serial # below 211650

Pioneer Bay PI serial # below 410650

Newport PS serial # below 121700

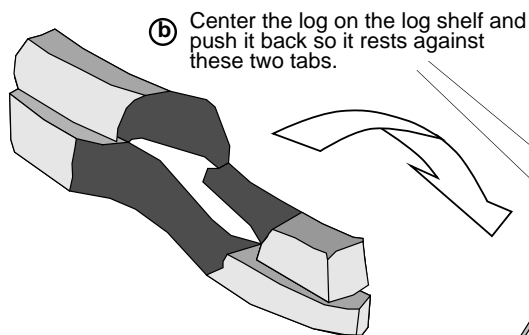
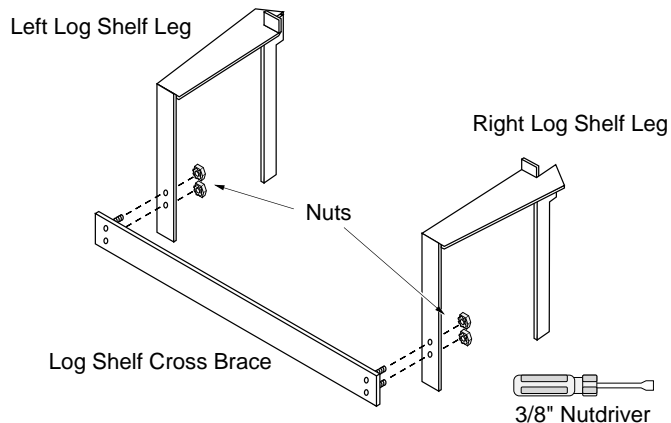
Newport Bay PI serial # below 320525

PACKING LIST

- Left & Right Log Shelf Legs
- Log Shelf Cross Brace
- Log
- Four 10-24 Nuts
- Log Shelf Extender (for Yankee freestanding stove only)
- Leyden/Arbor PS Log Shelf

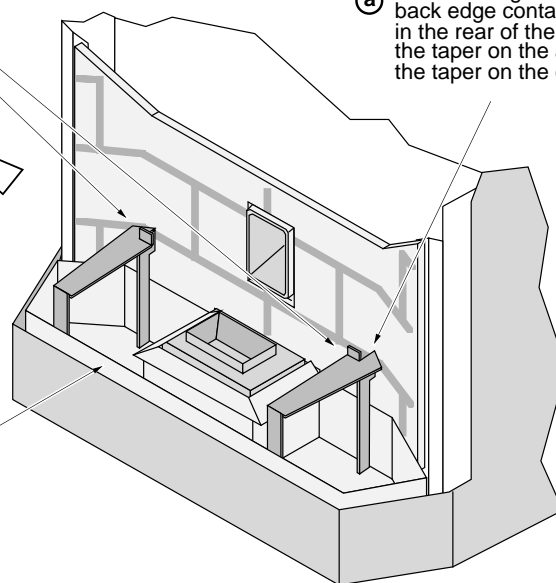
INSTALLATION INSTRUCTIONS (All Except the Yankee PS, Leyden, and Arbor)

- ! Make sure the heater has fully cooled before installation.
- 1 Attach the two log shelf legs to the cross brace with the four included nuts. Make sure to use the correct leg for each side.
- 2 Install the log shelf assembly and log following the directions below. See the picture on page 4 for how the log should appear when in place.



(a) Place the log shelf assembly so the back edge contacts the cast firebrick in the rear of the firebox. Note how the taper on the assembly matches the taper on the cast firebrick.

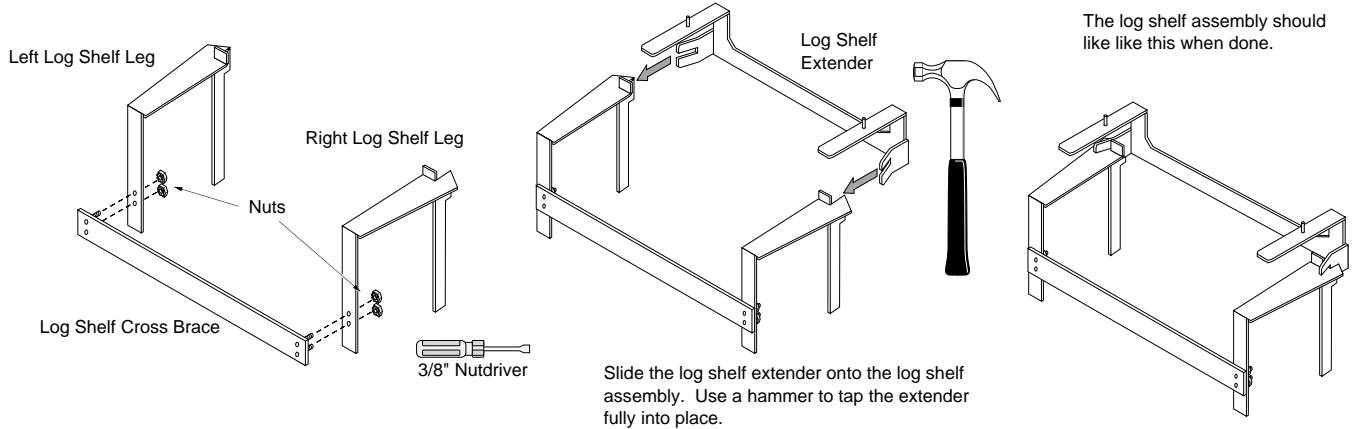
NOTE:
On inserts, the ash box must be installed before placing the log shelf assembly.



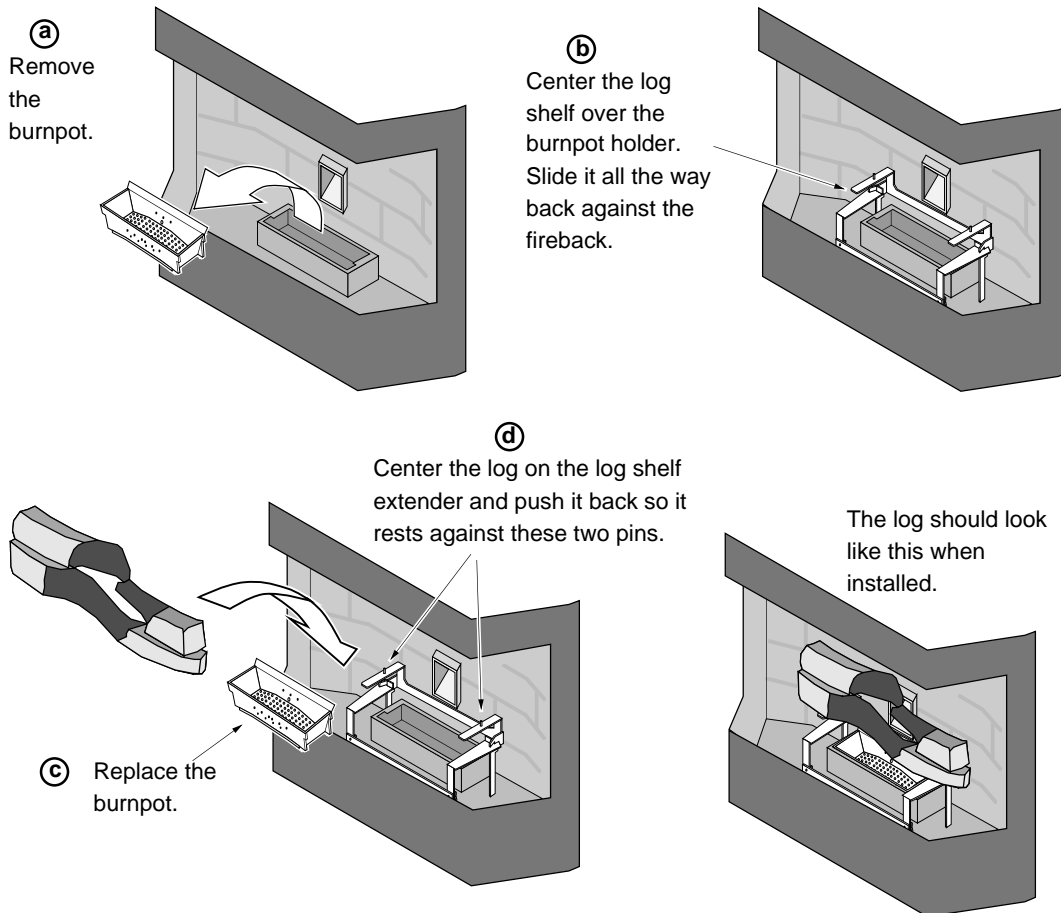
INSTALLATION INSTRUCTIONS (Yankee PS Freestanding Stove Only)

! Make sure the heater has fully cooled before installation.

1 Assemble the log shelf (with log shelf extender) following the directions below.

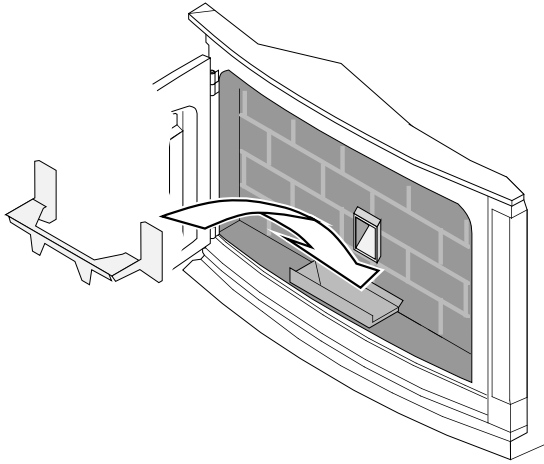


2 Remove the firepot from the pellet stove. Center the log shelf assembly (with extender attached) over the burnpot holder. Replace the burnpot. Place the log on the log shelf extender. See the picture on page 4 for how the log should appear when in place.



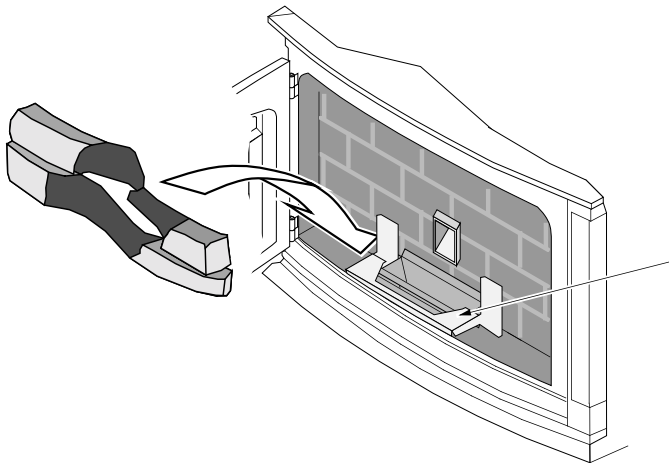
INSTALLATION INSTRUCTIONS (Leyden and Arbor Stoves Only)

- ! Make sure the heater has fully cooled before installation.
- 1 Place the log shelf into the firebox as shown below.



Place the log shelf on the firebox floor (it has a notch that allows it to fit in front of the firepot).

NOTE: The log shelf will need to be removed to access the ash dump covers.



Place the log on top of the flat portion of the log shelf. The bottom of the log has a flat portion that allows it to lay flat against the log shelf. Center the log in the firebox.

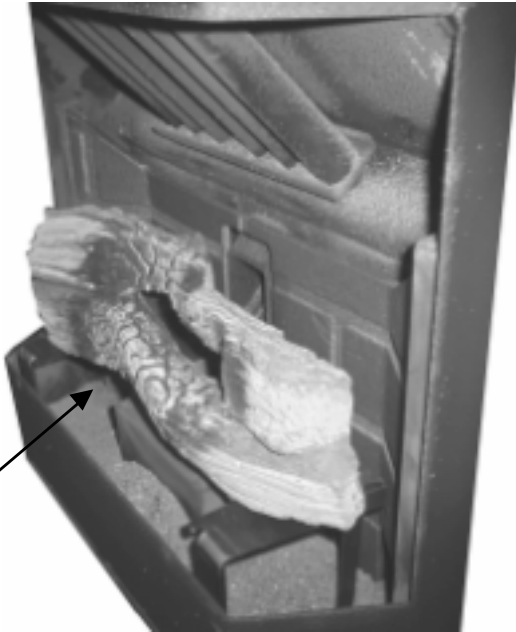
- 2 Place the log in place. See the picture on page 4 for how the log should appear when in place..

Completed Installation



The firepot will be hidden with the log in place. **USE OF THIS LOG WILL REQUIRE MORE FREQUENT FIREPOT CLEANING.** Failure to clean the firepot may lead to improper burning and a potential safety hazard.

When in place, the log should look like the pictures below.



Note how the log is standing upright and is not tilting back or resting against the brick refractory. If the log is pushed back too far or tilted over the firepot, it will interfere with the pellet feed system and diminish burn quality.



**Leyden PS
&
Arbor PS**