



TRAVIS INDUSTRIES  
HOUSE OF FIRE

# Berkshire Stone or Cast Insert Installation Instructions

---

## Packing List

- (2) Side Inserts
- (2) Top Inserts

## Part Numbers

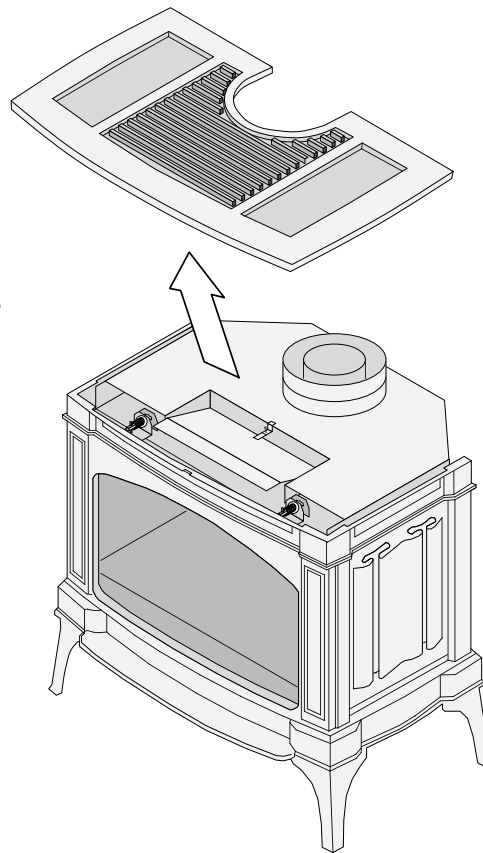
- Granite 99600200
- Soap Stone 99600201
- Berkshire Antique Slate 99600228
- Berkshire Oxford Brown 99600226
- Berkshire Majolica Black 99600236

## Installation

**WARNING:** Shut off gas to the appliance and disconnect power prior to service.

- 1 Remove the stove top.

Lift the stove top off the  
stove and place it aside.

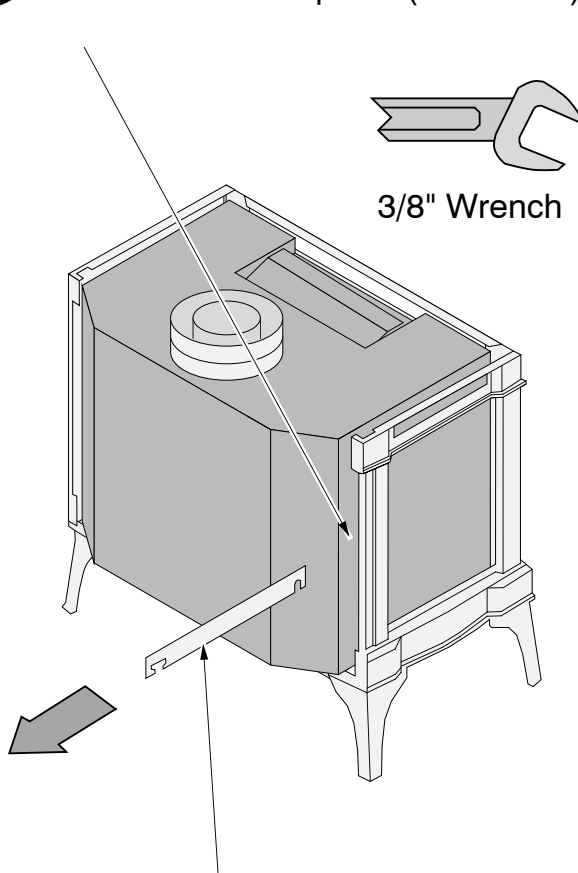




## Berkshire Stone or Cast Insert Installation Instructions

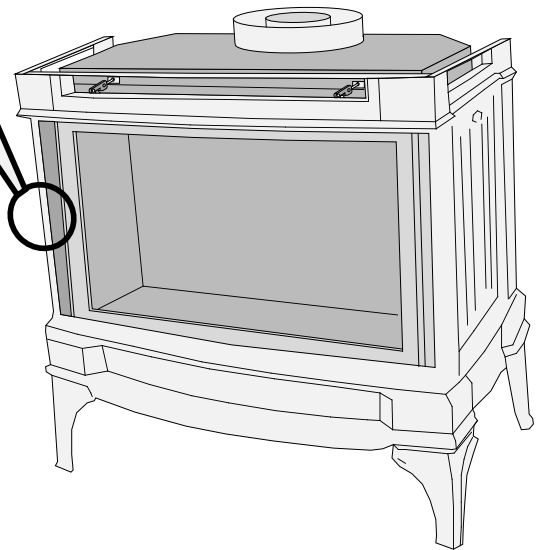
2 Install the side inserts following the directions below.

- a** **Loosen** the rear screw holding the side insert retainers in place (both sides).



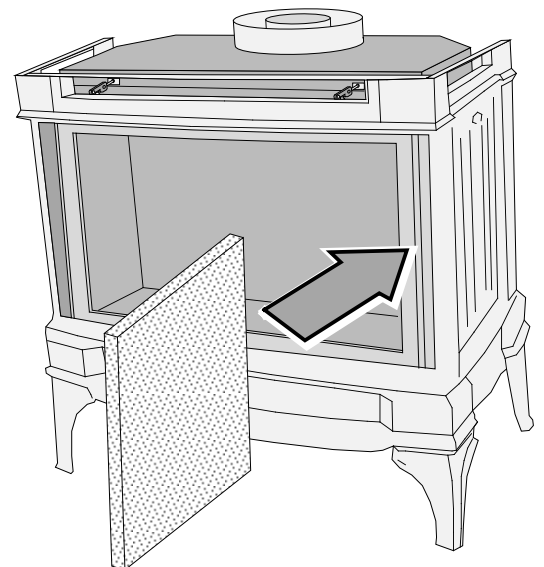
Side Insert Retainer

- b** **Remove** the front screw holding the side insert retainers in place (both sides).



- c** Lift the side insert retainer up and remove from the stove (both sides).

- d** Slide the side insert into place (if it is cast, make sure the correct side is facing upwards). Replace the side insert retainer and screw to secure. **NOTE:** You may need to further loosen the rear screw if the retainer does not slide into place.



**WARNING:** the stones are fragile and scratch easily. The enamel inserts can chip if not handled correctly.



## Berkshire Stone or Cast Insert Installation Instructions

- 3 Place the stove top upside down on a smooth, non-scratching surface. Install the stone inserts into the stove top following the directions below. Replace the stove top and face to finalize the installation.

**Note:** The granite stones may be slightly thin. This leads to the clips not securing the stones in place. Before installing, use a hammer or pliers to slightly bend the clips downwards. This will hold the granite tightly against the stove top.

Place the stone inserts into the indents on the stove top. Attach with the clips and screws.



Phillips  
Screwdriver

**NOTE:** slide the inserts inwards as far as possible to prevent them from striking the sides of the cast body.

