



Large Pedestal (1750 / Endeavor / Liberty)

99200124

Compatibility:

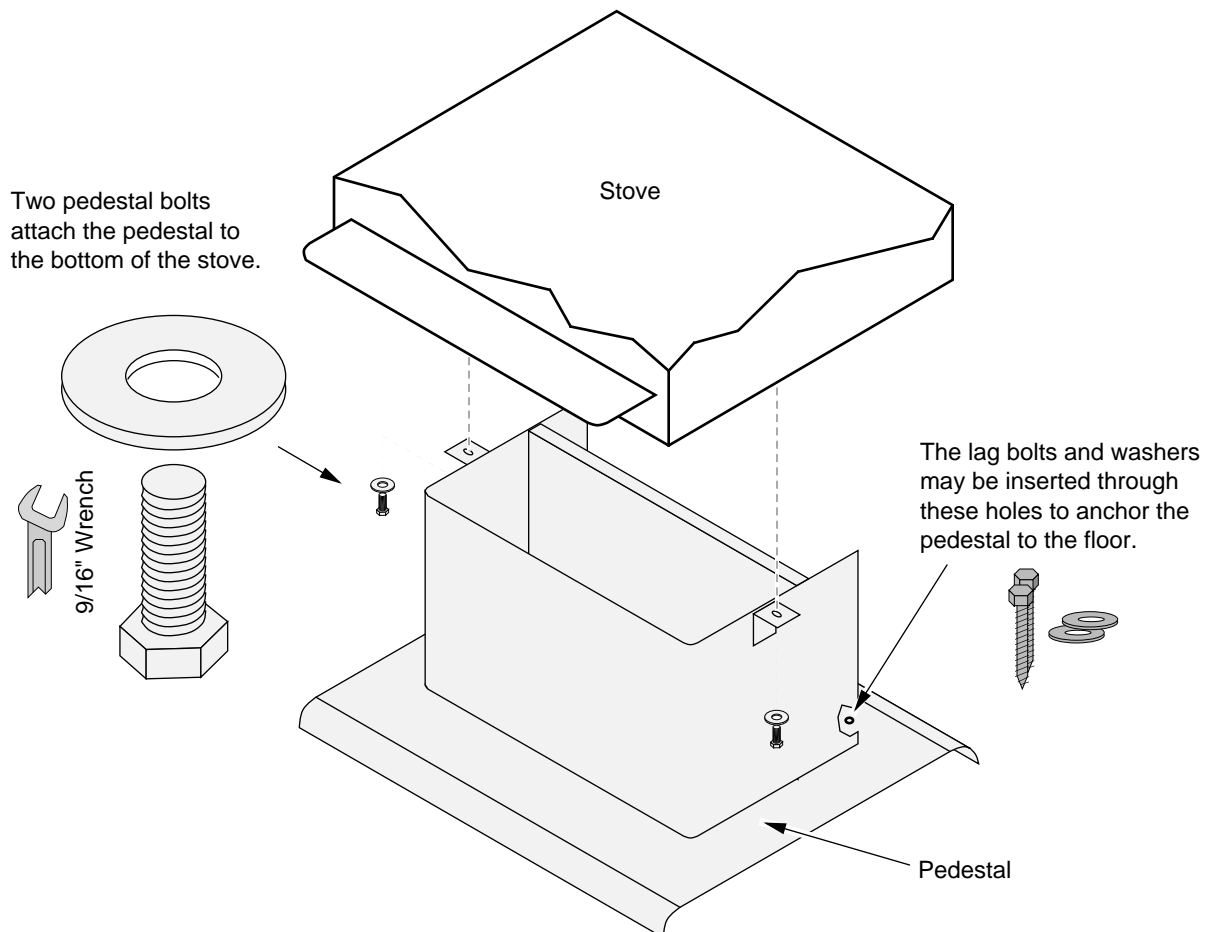
- 1750 Wood Stove
- Endeavor Wood Stove
- Liberty Wood Stove

Packing List:

- Pedestal
- (2) 3/8-16 x 3/4" Bolts w Washers
- (2) 5/16" x 3" Lag Bolts w Washers
- Screen with (6) Staples
- Insulation
- Cover Plate Assembly

Pedestal Attachment

NOTE: If using outside air, install it prior to attaching the pedestal (see Outside Air Installation on page 2 and 3).





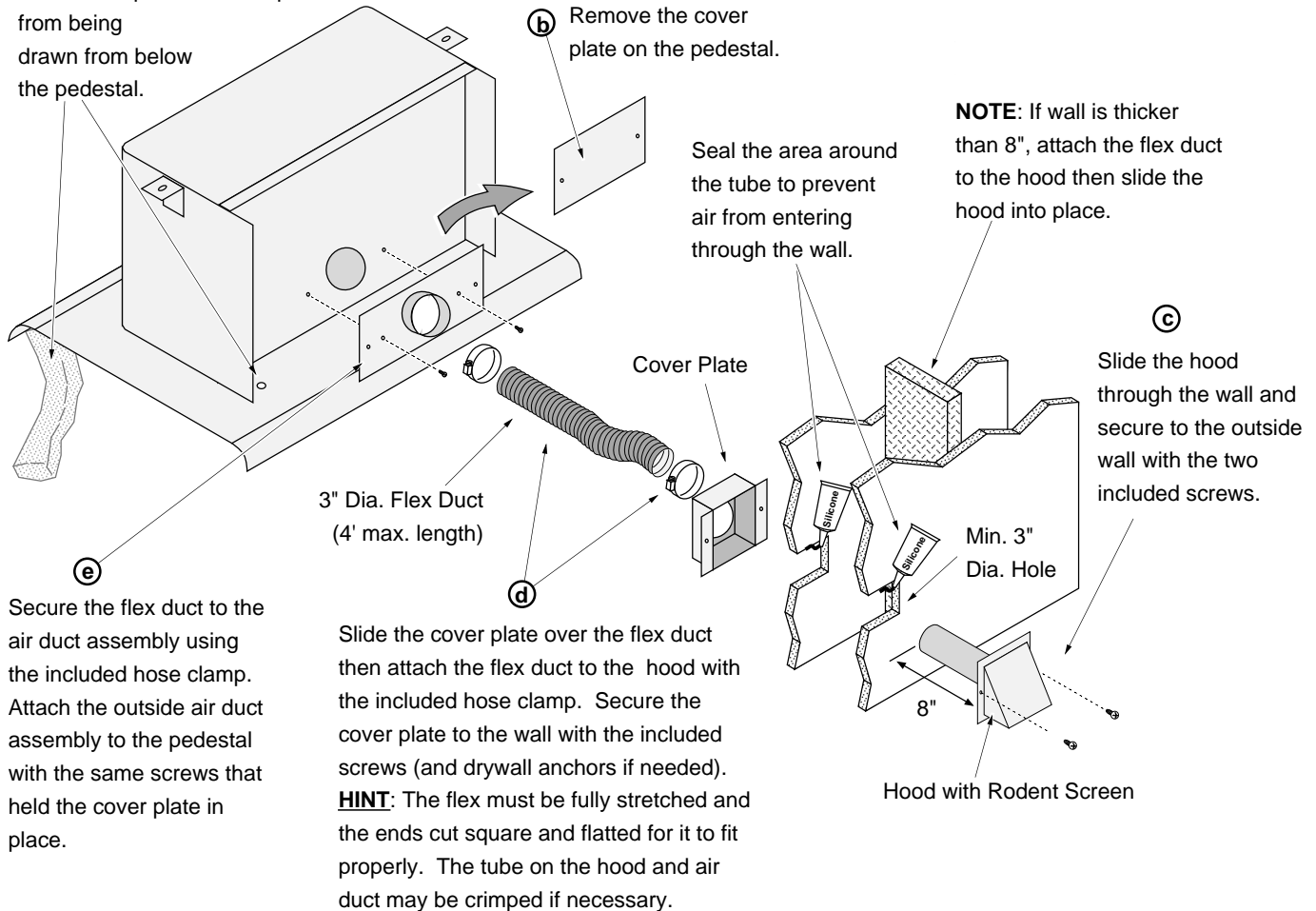
Large Pedestal (1750 / Endeavor / Liberty)

99200124

Outside Air Installation – Using the Outside Air Kit (99200139)

a

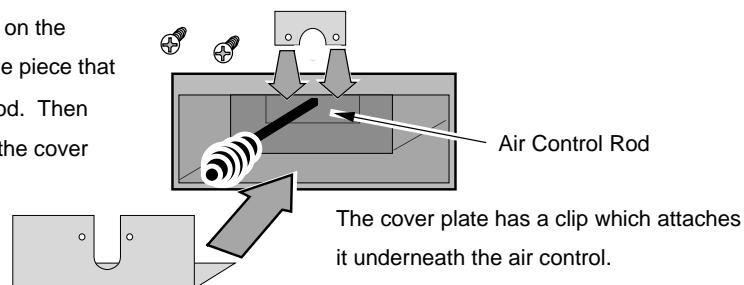
Tuck insulation (included with the pedestal) under both sides of the pedestal and under the holes on the base of the pedestal. This prevents air from being drawn from below the pedestal.



Liberty Outside Air Cover Plate

The Liberty wood stove can draw combustion air from the inlet near the air control. When using outside air you will need to install the included cover plate so all of the air is drawn from below. See the directions below.

Remove the two screws on the cover plate to remove the piece that fits over the air control rod. Then replace the piece when the cover plate is in place.





Large Pedestal (1750 / Endeavor / Liberty)

99200124

Outside Air Installation – Through the Pedestal into the Crawl Space

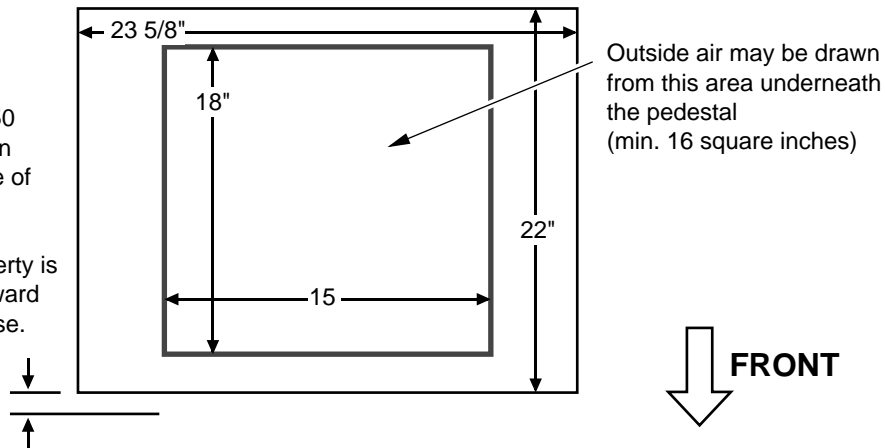
This pedestal has an internal air duct that may be used to direct air to the firebox. Outside air is then drawn from the crawl space under the stove (check with local building codes for requirements in your area). See the directions below for installation details.

- 1 Determine the location of the hole placed under the pedestal. The illustration below details the location of the pedestal in relation to the front of the stove. The hole should be at least 16 square inches.

Top View

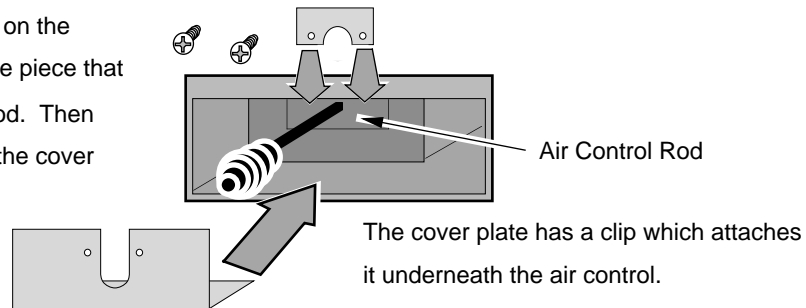
The faceplate of the 1750 and Endeavor is 2-1/2" in front of the forward edge of the pedestal base.

The faceplate of the Liberty is 4-3/4" in front of the forward edge of the pedestal base.



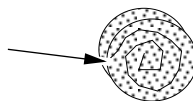
- 2 The Liberty wood stove can draw combustion air from the inlet near the air control. When using outside air you will need to install the included cover plate so all of the air is drawn from below. See the directions below.

Remove the two screws on the cover plate to remove the piece that fits over the air control rod. Then replace the piece when the cover plate is in place.



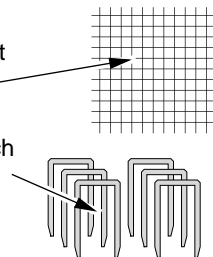
- 3 Attach the included screen over the hole (staples are included with the pedestal). Place the pedestal in place and tuck insulation under both sides of the pedestal and under the holes in the base of the pedestal (see step "a" on the previous page). This prevents air from entering under the pedestal.

Insulation is used to seal the side edges of the pedestal .



Screen is used to prevent rodents from entering.

Staples are used to attach the screen to the floor.



- 4 Attach the stove to the pedestal.