



# 564 Grill Installation

SKU # 96200801, 96200803, 96200805

## Compatibility:

- 564 Fireplaces

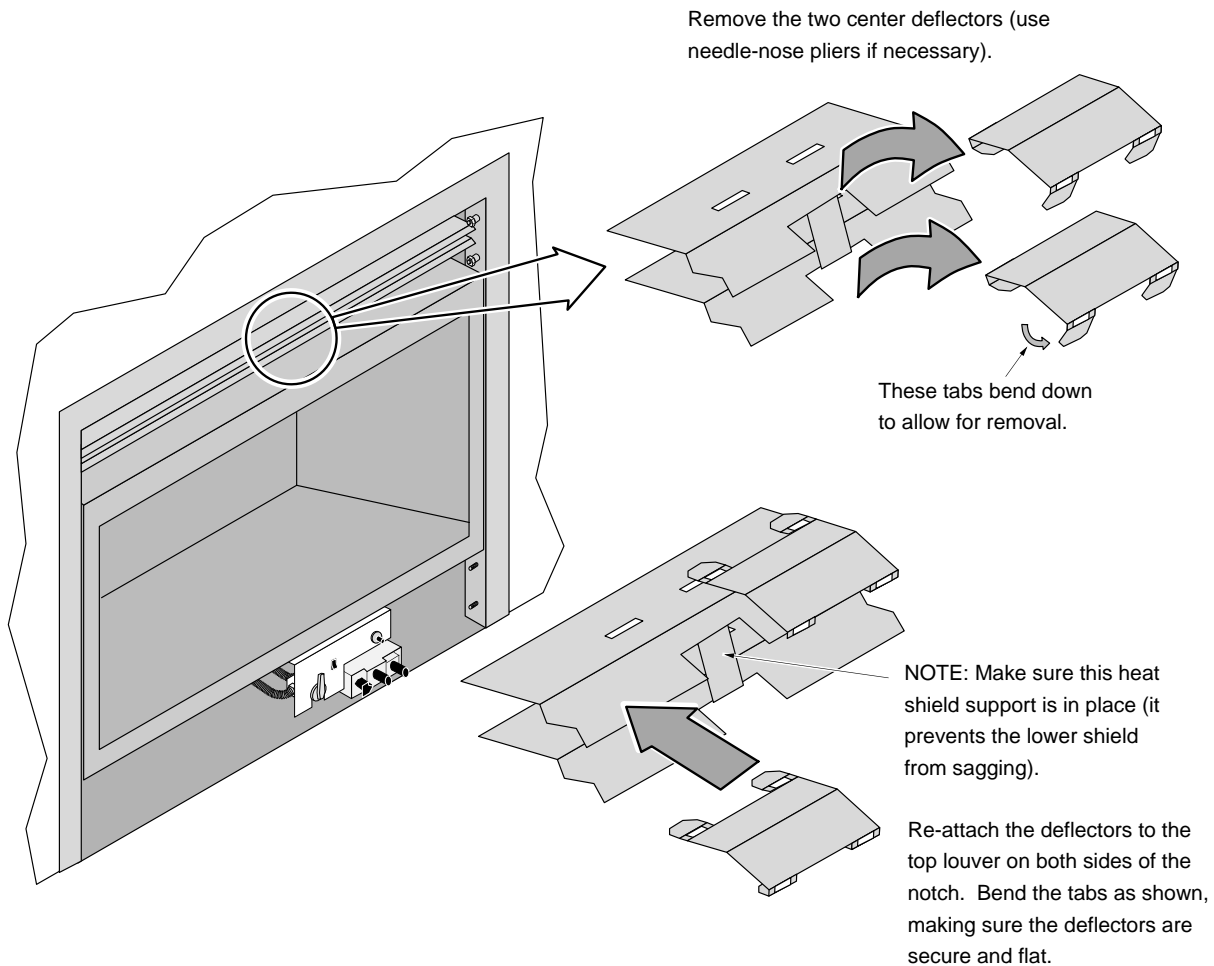
## Packing List:

- Upper and Lower Grill

## Installation:

NOTE: The glass frame should be in place before installing the grills.

- 1 The 564 SS will require some slight modifications to allow the upper grill to fit into place. Follow the directions below to re-position the center deflectors and verify the heat shield support.



**The center deflectors must be in place if using an optional face to prevent the facing above the fireplace from becoming too hot. Make sure the deflectors are secured to the top louver (see the illustration above).**



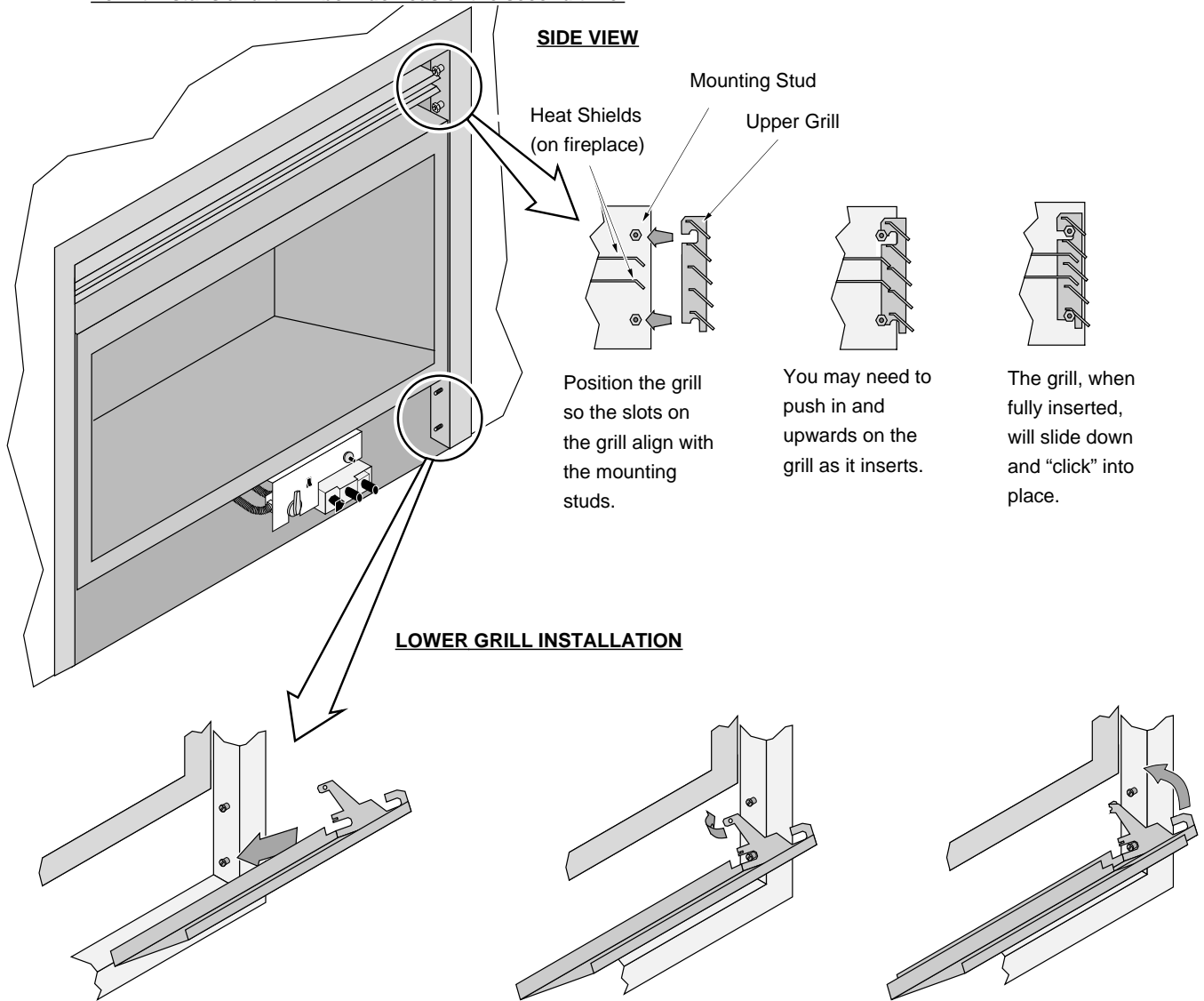
# 564 Grill Installation

SKU # 96200801, 96200803, 96200805

2 Follow the directions below to install the grills.

## UPPER GRILL INSTALLATION

**NOTE: The upper grill is difficult to install the first time - be patient, after you install it, you will know how it installs and it will be much easier the second time.**



### SIDE VIEW

Heat Shields (on fireplace)  
Mounting Stud  
Upper Grill

Position the grill so the slots on the grill align with the mounting studs.

You may need to push in and upwards on the grill as it inserts.

The grill, when fully inserted, will slide down and "click" into place.

## LOWER GRILL INSTALLATION

Hold the grill at an angle and insert the lower slot over the bushing on the fireplace (both sides). You may need to press on the grill to get the tab over the bushing (this prevents the grill from accidentally falling off).

Bend the tab over on both sides. This is the end-stop for the lower grill, it allows the grill to swing forward.

Swing the grill upwards to engage the upper slot. You will need to lift the grill slightly to get it over the bushing. Once in place the grill is held in place by gravity.