



Lopi Door Shell (No Ashlip Trim)

(Small Black - 96100634 Small Brass - 96100635 Small Pewter – 96100636)
(Large Black - 96100664 Large Brass - 96100665 Large Pewter – 96100666)

Compatibility

- Lopi Answer ND (SKU 99800199)
- Lopi Endeavor ND (SKU 99800203)
- Lopi Revere ND (SKU 99800303)
- Lopi Freedom ND (SKU 99800153)
- Lopi Liberty ND (SKU 99800311)

Packing List

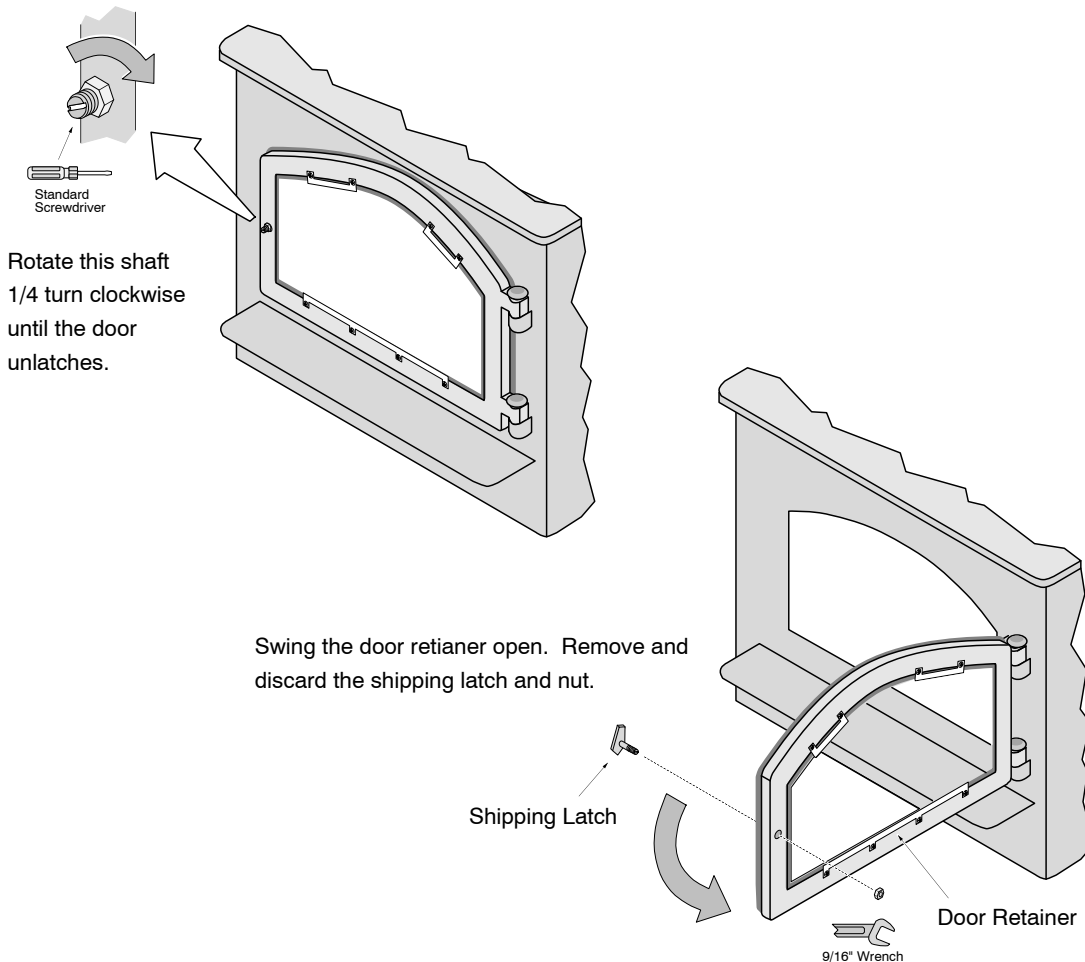
- Door Shell
- Door Handle (with Nut, Washers, and Cam)
- (2) Attachment Screws

Tools Needed

- Standard Screwdriver
- 9/16" Wrench
- 5/16" Nutdriver (Door Screws)

Installation Instructions

1. Remove the door retainer shipping latch following the directions below.





Lopi Door Shell (No Ashlip Trim)

(Small Black - 96100634 Small Brass - 96100635 Small Pewter – 96100636)
(Large Black - 96100664 Large Brass - 96100665 Large Pewter – 96100666)

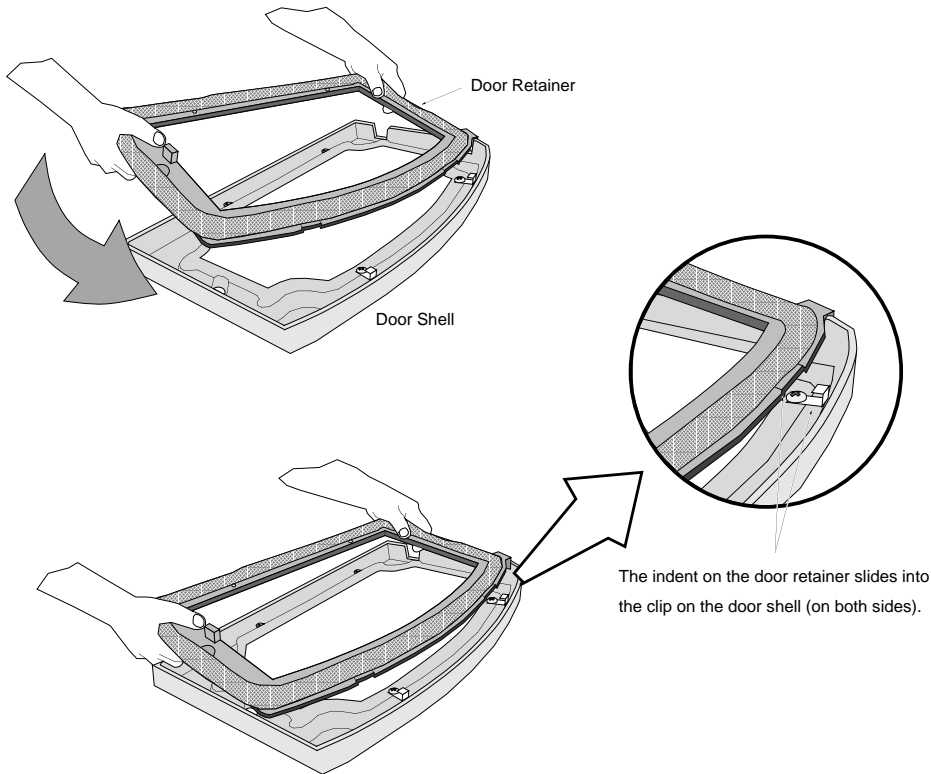
2. Place the door shell face down on a non-scratching surface.

Nickel (Cast Iron) Doors Only

Use a socket-head wrench with 5/16" socket to pre-thread the holes six revolutions. If you pre-thread more revolutions, it may bottom out and break the head off the screw. Remove and retain the screws. See the photos below.



3. Place the door retainer into the door shell as shown below.



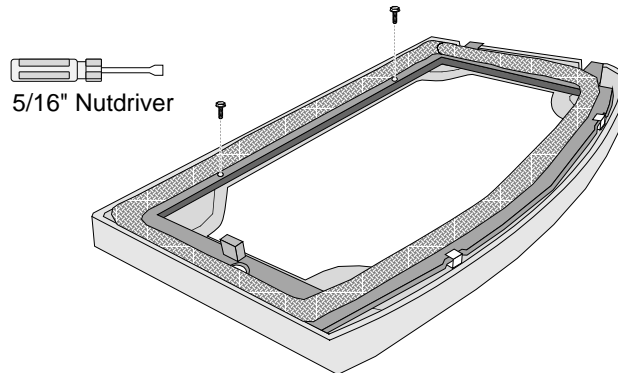


Lopi Door Shell (No Ashlip Trim)

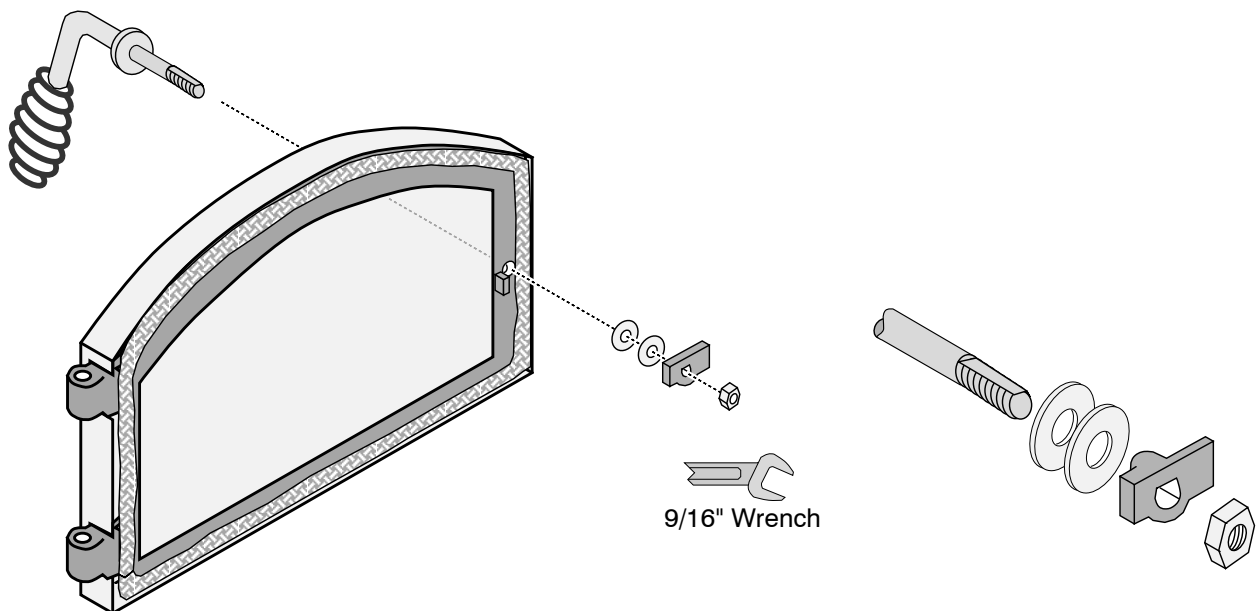
(Small Black - 96100634 Small Brass - 96100635 Small Pewter – 96100636)
(Large Black - 96100664 Large Brass - 96100665 Large Pewter – 96100666)

4. Make sure the holes in the retainer line up with the holes on the shell then use a 5/16" nutdriver to secure the shell with the two screws. Tighten until the door shell is snug against the retainer (do not over-tighten).

**WARNING: Do not use a power drill or driver to attach the screws.
The castings must be properly threaded and not stripped.**



5. Attach the door handle following the directions below.
NOTE: If the door handle does not line up correctly with the retainer and door shell, loosen the two screws tightened in step 4, align the door retainer and shell, then re-tighten the two screws.



6. Replace the door on the hinges and latch the door.



Lopi Door Shell (No Ashlip Trim)

(Small Black - 96100634 Small Brass - 96100635 Small Pewter – 96100636)
(Large Black - 96100664 Large Brass - 96100665 Large Pewter – 96100666)

Cleaning Instructions



Make sure the stove or fireplace insert has fully cooled prior to cleaning.

Black Doors

Black doors only require dusting. Wood stove touch-up paint may be used to improve the surface.

Brass Doors

The solid brass doors should be cleaned with Flitz® or other non-abrasive brass cleaner. Refer to the instructions included with the brass cleaner.

Pewter Doors

Use denatured alcohol or a non-abrasive glass cleaner and a soft cloth to clean plated surfaces.