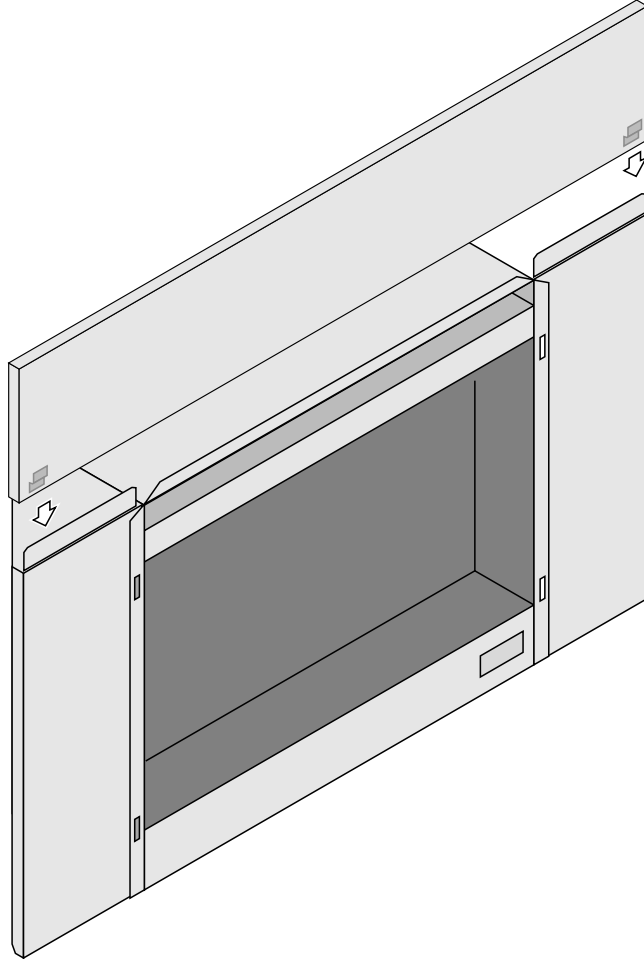




TRAVIS INDUSTRIES
HOUSE OF FIRE

564 EF-I Surround Panel Installation Instructions (96100298)

- 2 The top panel has joggles on the back of the panel that slide over the flanges on the panels (see illustration below). Attach the top panel, making sure the ends are square with the side panels.



- 3 Slide the fireplace into position. The side panels have an angled snipe at each bottom corner to allow the power cord to exit the side panels.