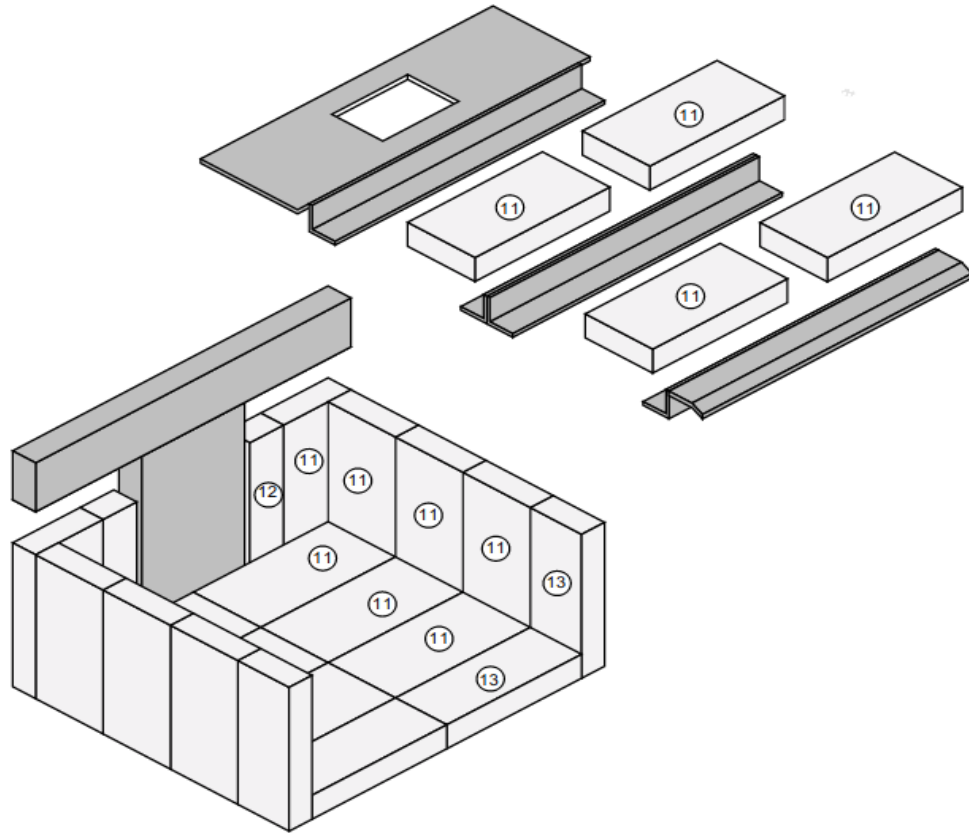




# REVERE FIREBRICK ORDER FORM



ID#	SKU	DESCRIPTION	QTY	ORDER QTY
11	251-00000	BRICK-WHOLE, 9 x 4-1/2 x 1-1/4	18	
12	251-00021	BRICK-CUT, 9 x 2	2	
13	251-00022	BRICK-CUT, 9 x 3-11/16	4	

STOCK	99900102	BOX OF 8, WHOLE BRICK (251-00000 x 8)	BOX OF 8	
-------	----------	---------------------------------------	----------	--

Ship To \_\_\_\_\_

Acct # \_\_\_\_\_ PO# \_\_\_\_\_

Street \_\_\_\_\_

City, ST \_\_\_\_\_

Please send  
to your  
Travis Sales Team

Melodie Kauf: FAX (425) 609-2792  
John Beiermann: FAX (425) 315-9911  
Quinn Wilks: FAX (425) 315-9913

[saleswest@travis-inc.com](mailto:saleswest@travis-inc.com)  
[saleseast@travis-inc.com](mailto:saleseast@travis-inc.com)  
[salescentral@travis-inc.com](mailto:salescentral@travis-inc.com)