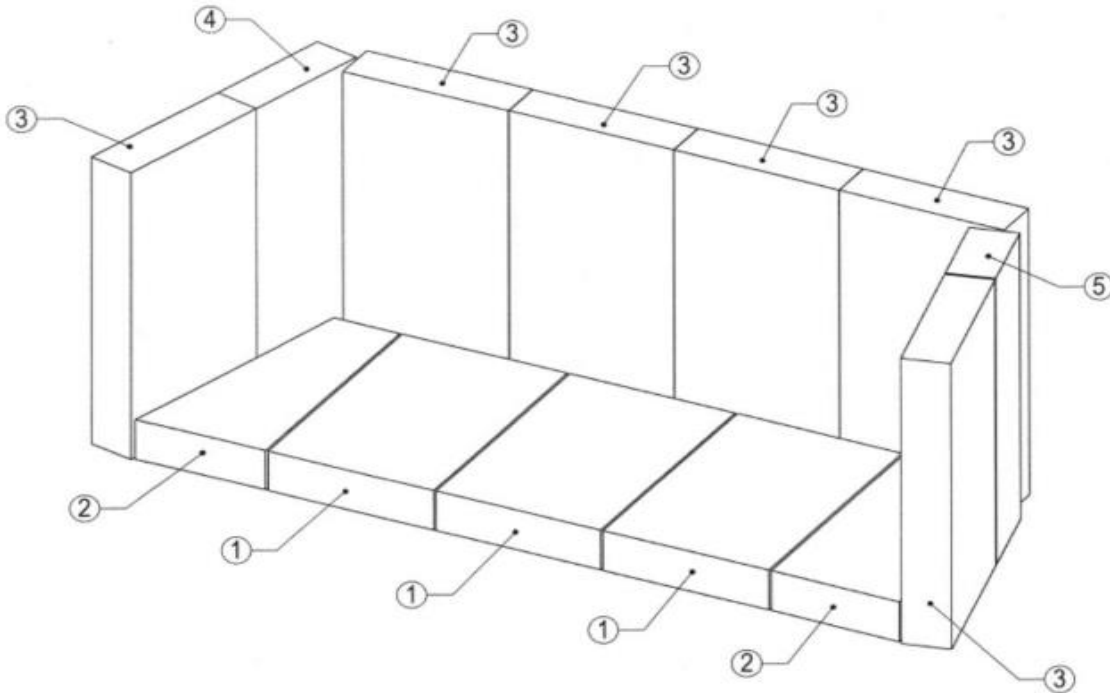




SMALL FLUSH WOOD FIREBRICK ORDER FORM



| ID# | SKU | DESCRIPTION | QTY | ORDER QTY |
|-----|-----------|--------------------------------------|-----|-----------|
| 3 | 251-00000 | BRICK-WHOLE, 9 x 4-1/2 x 1-1/4 | 6 | |
| 1 | 251-00074 | BRICK-CUT, 6-15/16 x 4-1/2 | 3 | |
| 2 | 251-00075 | BRICK-CUT, 6-15/16 x 3-1/2 x 1-13/16 | 2 | |
| 4 | 251-00049 | BRICK-CUT, 9 x 3-5/8 | 1 | |
| 5 | 251-00076 | BRICK-CUT, 9 x 2-7/16 | 1 | |
| N/A | 251-00077 | Igniter Brick (Not Pictured) | 1 | |

| | | | | |
|--------------|-----------------|--|-----------------|--|
| STOCK | 99900102 | BOX OF 8, WHOLE BRICK (251-00000 x 8) | BOX OF 8 | |
|--------------|-----------------|--|-----------------|--|

Ship To _____

Acct # _____ PO# _____

Street _____

City, ST _____

Please send
to your
Travis Sales Team

Melodie Kauf: FAX (425) 609-2792
John Beiermann: FAX (425) 315-9911
Quinn Wilks: FAX (425) 315-9913

saleswest@travis-inc.com
saleseast@travis-inc.com
salescentral@travis-inc.com